



Deluxe Tagalong™ Bicycle Basket Care & Use Guide

Congratulations on the purchase of your Solvit Deluxe Tagalong™ Bicycle Basket. The carton should contain: the main basket section; two side panels; one padded bottom panel, one sewn-in safety leash, one shoulder strap, one removable sunshade and a mounting bracket assembly.

Assembly of the basket: The front and back interior hard panels are pre-installed in the basket. Install the side panels and bottom panel as follows:

1) Lift the four padded flaps to make it easier to insert the side panels into the basket.

2) Insert one side panel with one edge fitted snugly in the corner of the basket, with the hook tape strip at the top of the panel and facing to the inside (figure A).

3) Push the panel so it fits flat along the side of the basket and is snug in both corners. Repeat with the other side panel. When both side panels are inserted correctly, the basket should resemble figure B. The side panels are designed to fit tightly – be sure to push firmly into the corners and against the sides of the basket.

4) Insert the padded bottom panel, pad side up, into the bottom of the basket. The small “pull tab” on the edge of the panel should face the front. Again, this is intended to be a tight fit when in the correct position. Hold the safety leash when inserting the bottom panel so that it will be accessible after the bottom panel is inserted. When the bottom and side panels are firmly pushed in place, the basket should resemble figure C.

5) Pull the four padded fabric panels along the top into place matching the loop tape on each padded section to the hook tape on the inside walls of the basket, as in figure D.

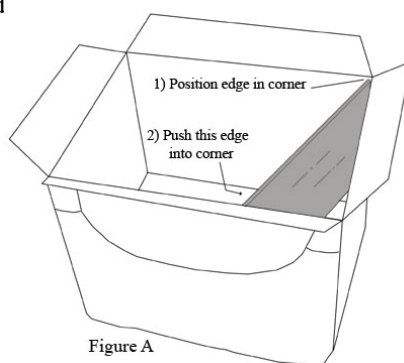


Figure A

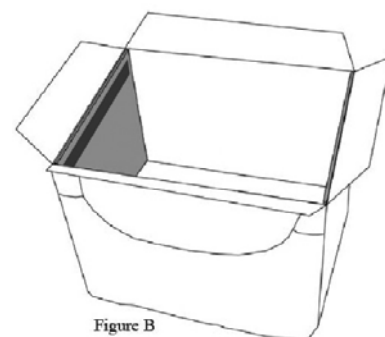


Figure B

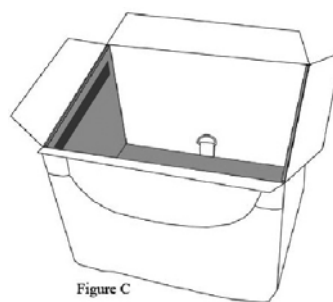


Figure C

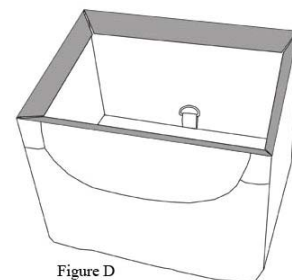


Figure D

Assembly and installation of the mounting bracket: (Use Figures E, F, and G for reference)

A Phillips screwdriver is required to complete this assembly. The mounting system consists of one left and one right UPPER handlebar mount (marked L & R); one left and one right LOWER handlebar mount (marked L & R), four nuts and bolts for fastening the handlebar mounts; one adjustable bottom strut with nut and bolt; and one steel wire bracket.

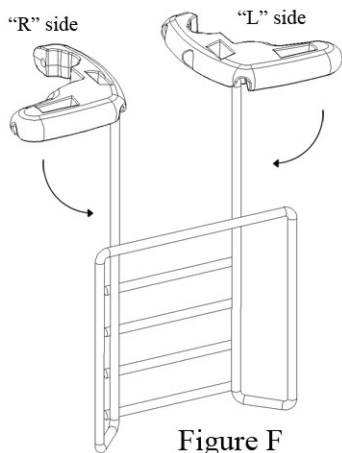


Figure F

- 1) The UPPER and LOWER handlebar mounts are fastened together in the package – begin by removing the nuts and bolts and separating the pieces (figure E).
- 2) The UPPER handlebar mounts must be snapped on to the steel wire bracket. First, insert the bent section of the “L” side of the bracket into the short channel at the top of the “L” UPPER handlebar mount and slide into the hole at the end of the short channel. Rotate the mount down 90 degrees until the wire stem snaps into the channel on the side of the mount. You will hear and feel a definite “snap” when this connection is made to the steel bracket. This is designed to be secure, so some force is required to achieve the proper connection. Repeat these steps for the “R” UPPER handlebar mount (figure F).

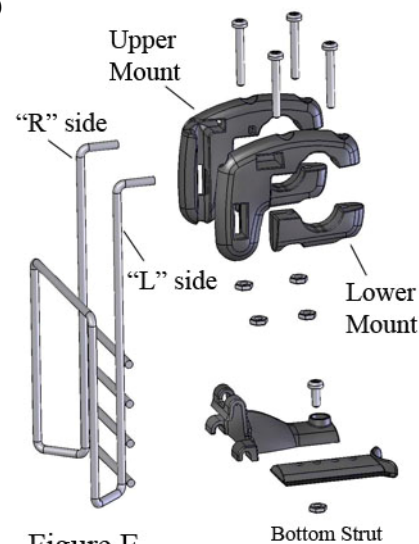


Figure E

- 3) Snap the bottom strut piece to the wire bracket by pressing the two “hook” sections to the lowest two cross wire braces.
- 4) Hang this partially-assembled bracket on the handlebars, taking care to route the cables through and around the bracket to avoid unnecessarily bending or pinching your cables. This is important, as bending the cables reduces their effectiveness and longevity.
- 5) Carefully align the LOWER handlebar mount pieces marked “L” and “R” to the corresponding UPPER handlebar mount pieces and insert the bolts down through both pieces. Make sure the “R” and “L” symbol on each piece faces inside. When the nuts are tightened on these bolts, they should fit into the hexagonal cavities on the underside of the LOWER handlebar mount – but do not fully tighten the nuts at this time.
- 6) Attach the empty basket to the handlebar mounting system by sliding the pocket on the back of the basket over the wire bracket.
- 7) Adjust the height and length of the bottom strut (as explained below) so the semi-circle member rests firmly on the bicycle fork tube, and the basket tilts up slightly at the front. The height of the bottom strut can be adjusted by locating it on any two adjacent wire cross-braces. The length of the strut can be adjusted by moving the nut/bolt onto any of the four available holes. When you are happy with the basket position, tighten all five nuts and bolts.

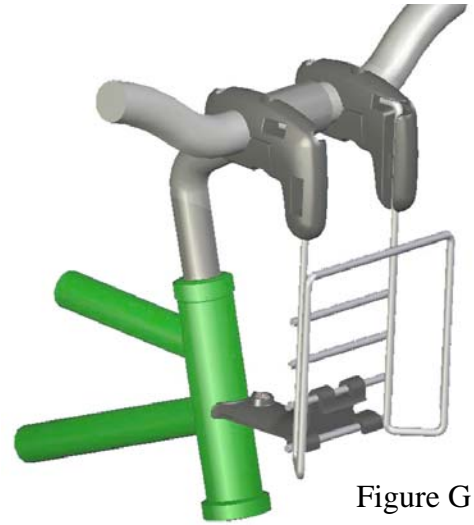


Figure G

The basket can now be attached and removed from the bicycle quickly and easily (additional brackets are available from your retailer for mounting on a second bicycle). Before riding with the basket, connect the two side safety straps around the handlebars and adjust the strap length to achieve a snug (not overly tight) fit.

Installation of the sunshade: The two shorter “legs” on the sunshade face to the front of the basket. To install, insert about one inch of one of the shorter legs into the narrow, slanted pocket on the front face of the basket and insert the corresponding longer leg into the narrow pocket on the back face of the basket. Repeat this step for the other longer and shorter legs. Once all four legs are slightly inserted into their pockets, insert the legs further to achieve the desired height of the sunshade (all legs should be inserted at least half-way into each pocket). When not in use, the sunshade can be stored underneath the padded floor panel in the basket.

The Tagalong™ comes with an adjustable safety leash sewn into the bottom interior of the basket. Attach the safety leash to your pet’s collar or harness. Make sure the safety leash is set short enough to prevent pets hopping over the side of the basket. The basket can also be used as a carrier by connecting the shoulder strap to the D-rings located on each side of the basket.

Practice riding with the empty basket before riding with pets. We recommend short trips at first to allow pets to become comfortable riding in the basket. Use caution, obey all traffic laws and always wear a helmet when riding! The basket is not meant for use with extreme riding styles such as mountain biking. We hope you enjoy your Tagalong™ bicycle basket and the added companionship it provides for you and your pet.

WARNING:

- The additional weight of the basket adds weight to the handlebars and may make the bicycle less stable when parked with the kickstand.
- Never leave pets unattended in the basket.

Warranty: The Tagalong Deluxe Bicycle Basket is warranted to be free from defects in materials or workmanship for a period of one (1) year from date of purchase. A copy of the original sales receipt is required for warranty issues.